



PRIME

INDUSTRIES



+91 987 689 5941 | +91 701 843 2417



Village Saidpura, Industrial Park, Block-A Dera Bassi Industrial Area, SAS Nagar, Punjab 140507

About Us

We are a precision-driven manufacturing unit specializing in infrastructure hardware and bath fittings, engineered to meet modern construction and architectural standards. With advanced CNC and VMC machining technology, we deliver products that combine strength, accuracy, durability, and refined finish.

Our manufacturing process is designed to support large-scale infrastructure projects, residential developments, and commercial spaces, ensuring consistent quality and timely delivery.





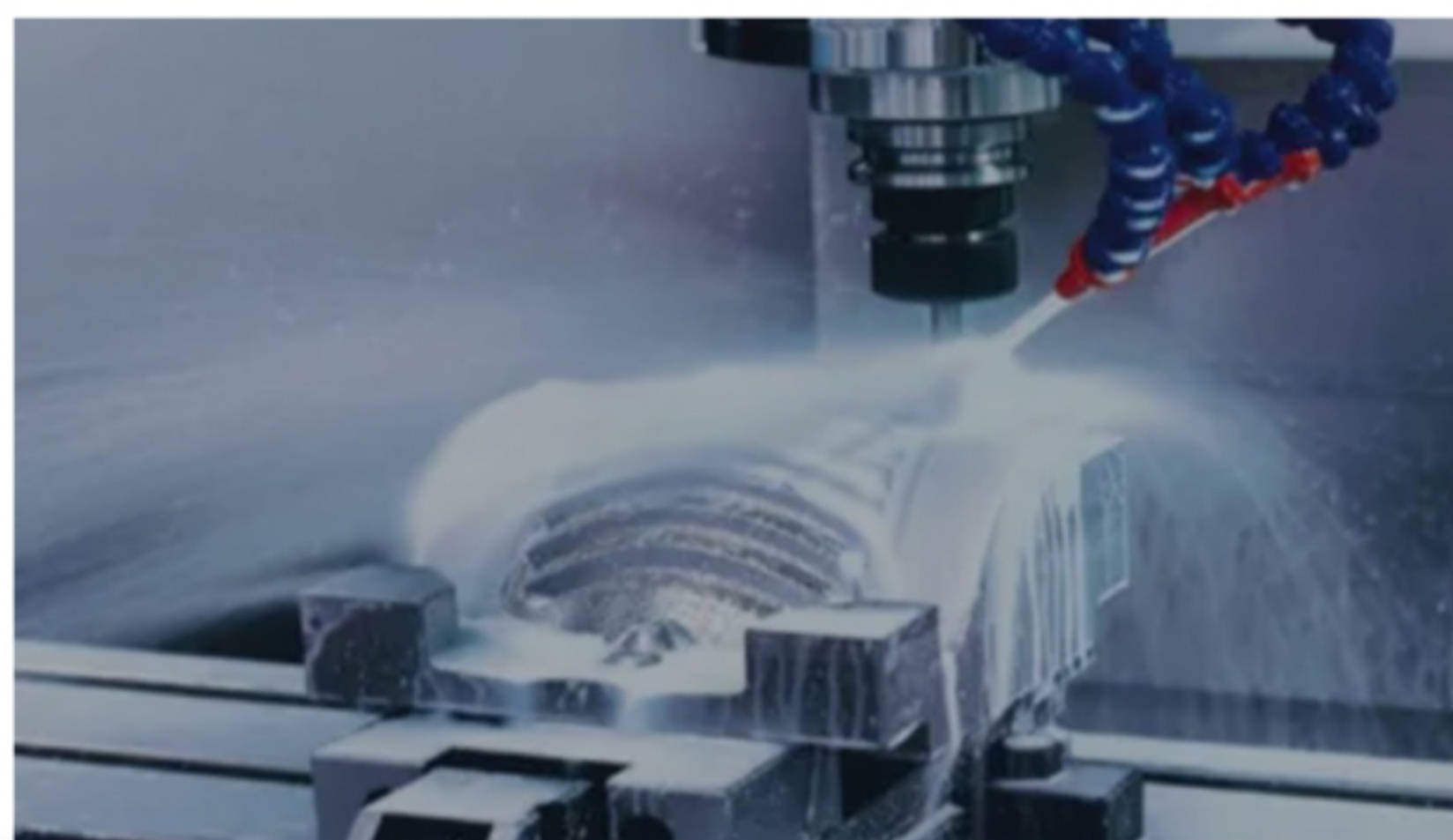
Manufacturing Capabilities

Our plant is equipped with state-of-the-art CNC (Computer Numerical Control) and VMC (Vertical Machining Center) machines, enabling us to manufacture complex components with exceptional precision.

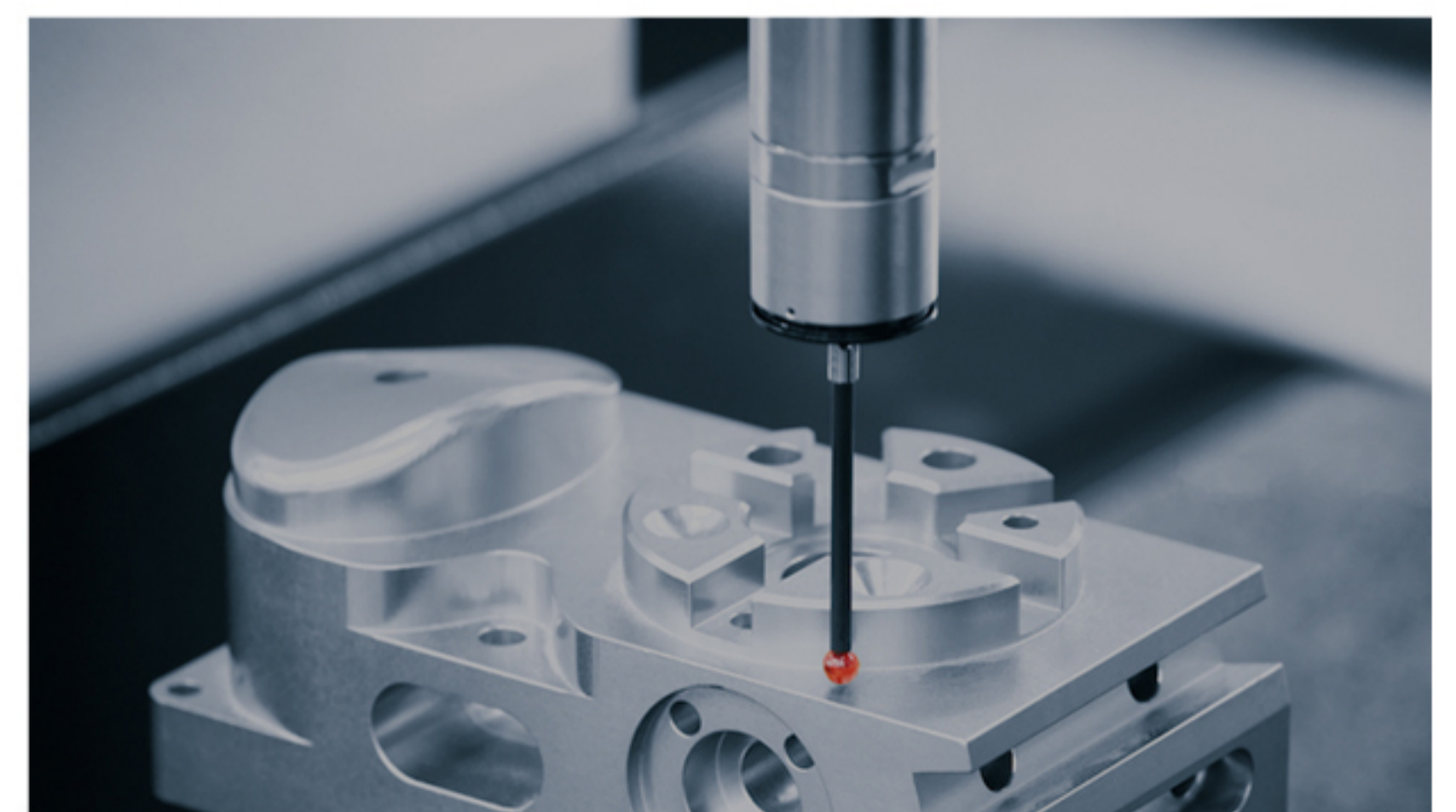
Key Capabilities:



High-Accuracy CNC Machining



VMC-Based Multi-Axis Operations



Tight Dimensional Tolerances



Consistent Batch Production



Superior Surface Finishing



Custom Tooling and Component Development

This advanced setup allows us to maintain uniform quality across high-volume production while offering flexibility for custom requirements.

Bath Fittings Manufacturing

Our bath fittings are engineered for modern aesthetics, smooth functionality, and long service life. Precision machining ensures perfect alignment, leak-proof performance, and flawless finish.



Product Range Includes



Faucets and Tap
Components

Shower Fittings



Valves and Connectors



Customized Bath Fitting Parts

Machined Brass and Metal Components





Quality Assurance

Quality is embedded in every stage of our manufacturing process.

Raw Material Inspection





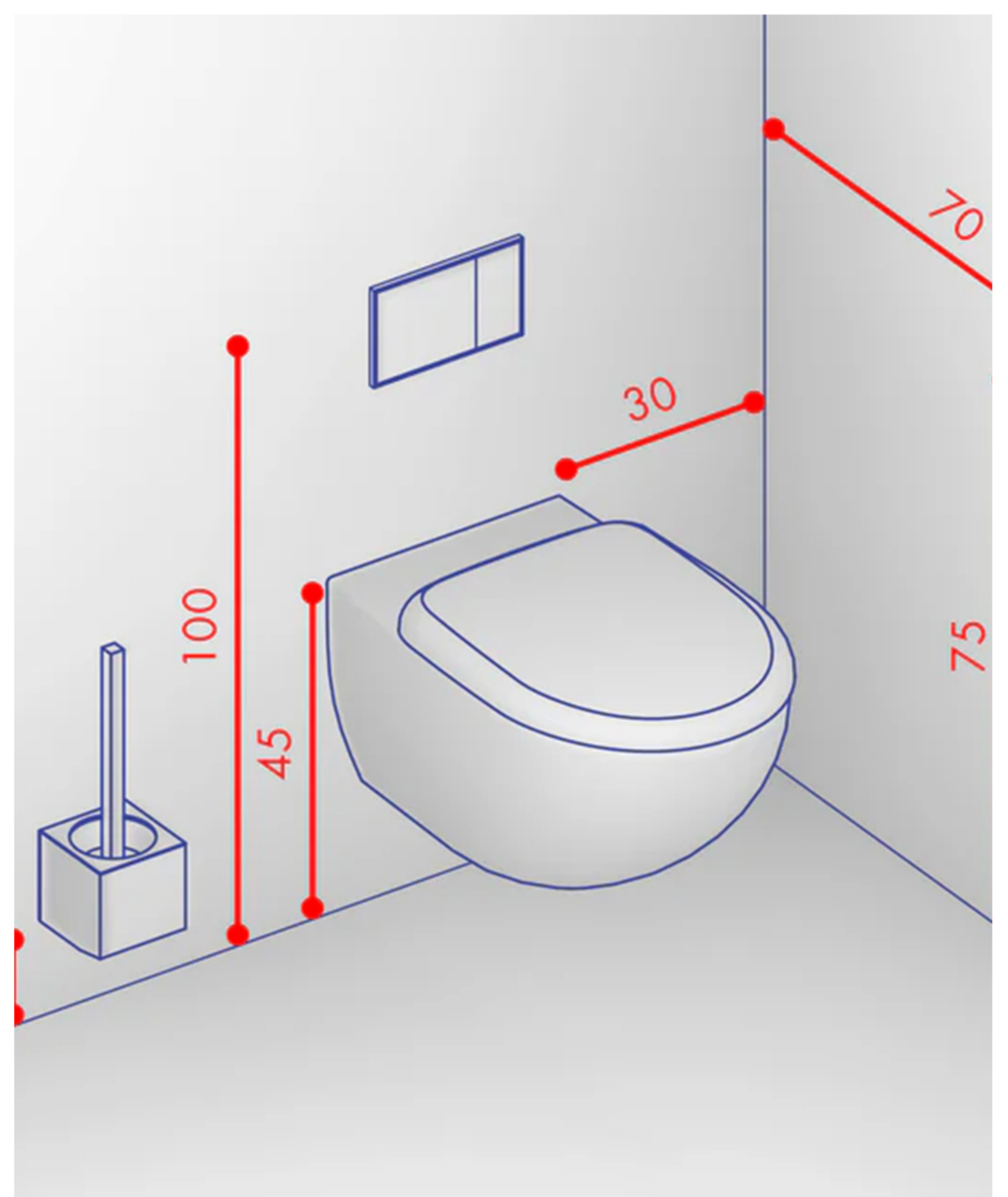
In-Process
Dimensional
Checks

Consistency
Across Batches



Final Quality
Verification

Compliance with
Industry Norms



Why Choose Us



Advanced
CNC & VMC
Infrastructure

High-Precision Manufacturing





Reliable Timelines
and Scalable
Output



Strong Focus on
Quality and
Durability



Competitive
Pricing with
Consistent Quality

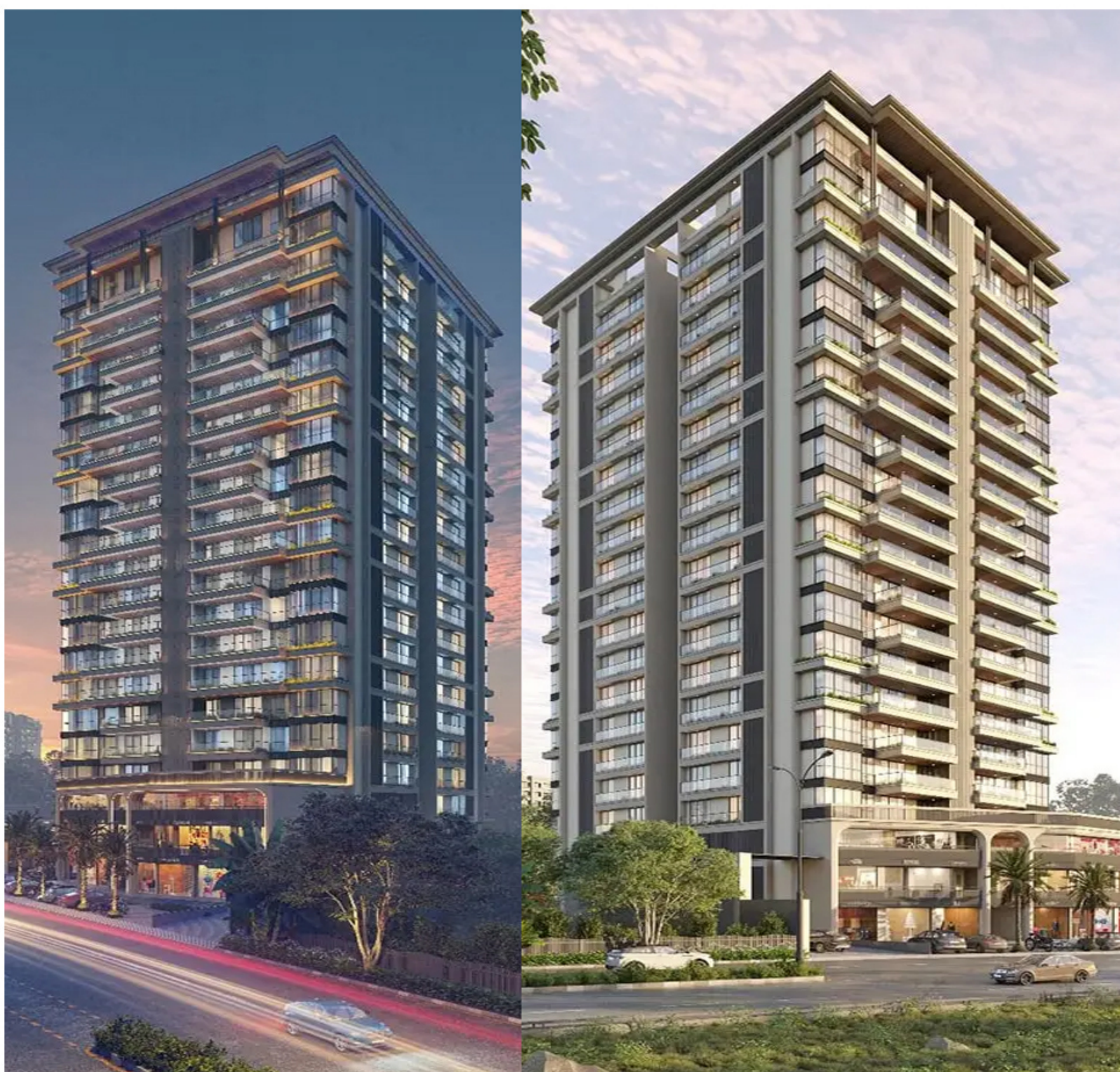


Custom and Bulk
Production
Capability

Industries We Serve



Infrastructure & Construction

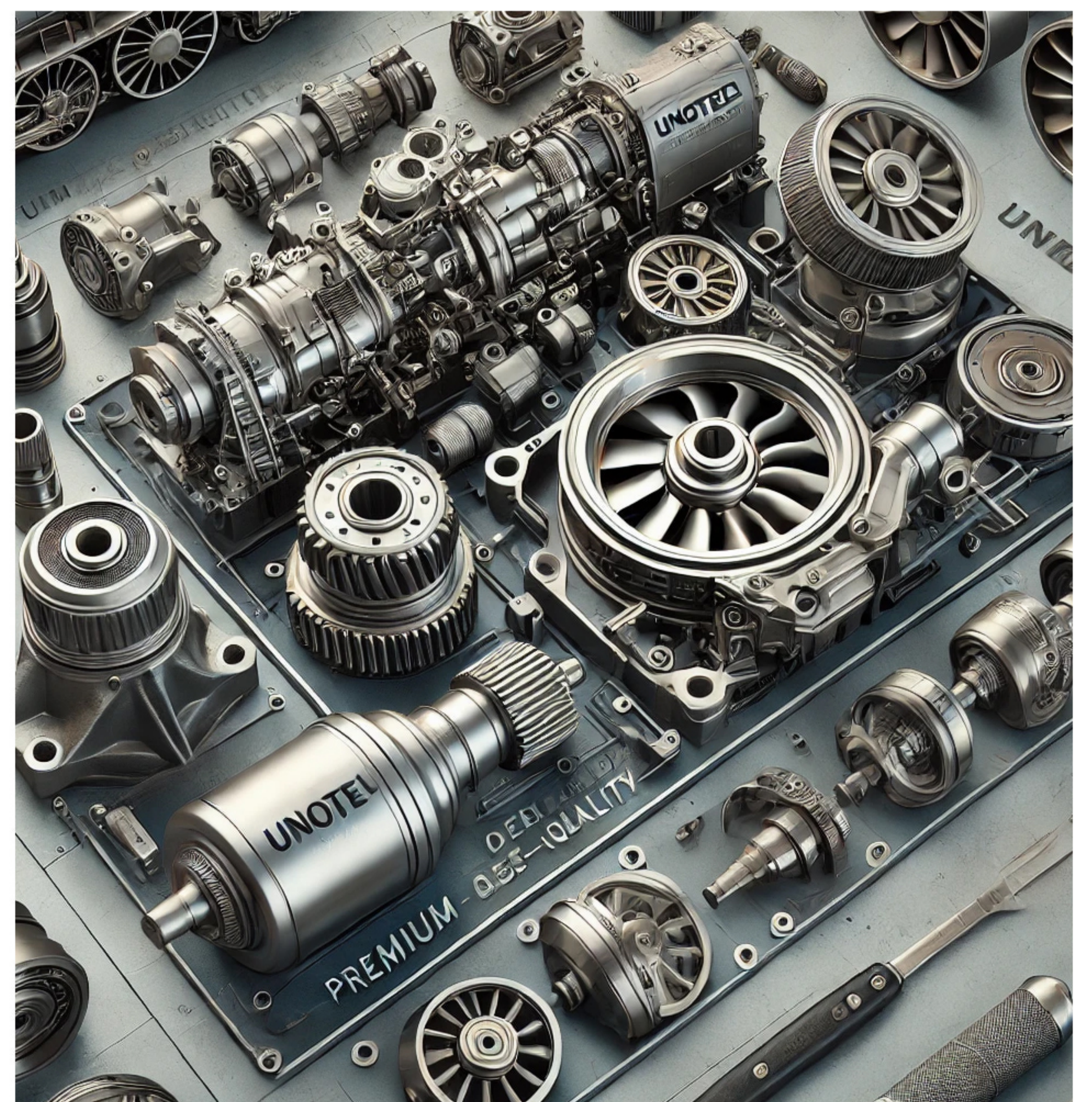


Residential and Commercial Projects

Builders and Contractors




OEMs and Industrial Clients



Bathroom and Sanitaryware Brands





 +91 987 689 5941 | +91 701 843 2417

 Village Saidpura, Industrial Park, Block-A Dera Bassi Industrial Area, SAS Nagar, Punjab 140507